

# LITE DISPLAY UNIT w/LEG KIT

## FRAME PARTS

- 1 – Left Side Upright
- 1 – Right Side Upright
- 1 – 2 Crossbars
- 2 – Corner Brackets
- 2 – Bottom Assembly Brackets

## ATTACHMENTS

- 1 – Lite Box
- 6 – Lite Box Inserts
- 2 – Vertical Logo Panels
- 2 – Arm Lights
- 1 – Cord Concealment Extrusion

## REQUIRED TOOLS

- Electric drill
- 1/8" & 5/32" drill bits & Phillips bit
- Phillips screwdriver
- Crescent wrench adjustable to 9/16"
- Rubber mallet
- Sockets wrench & 7/16" & 9/16" deep sockets

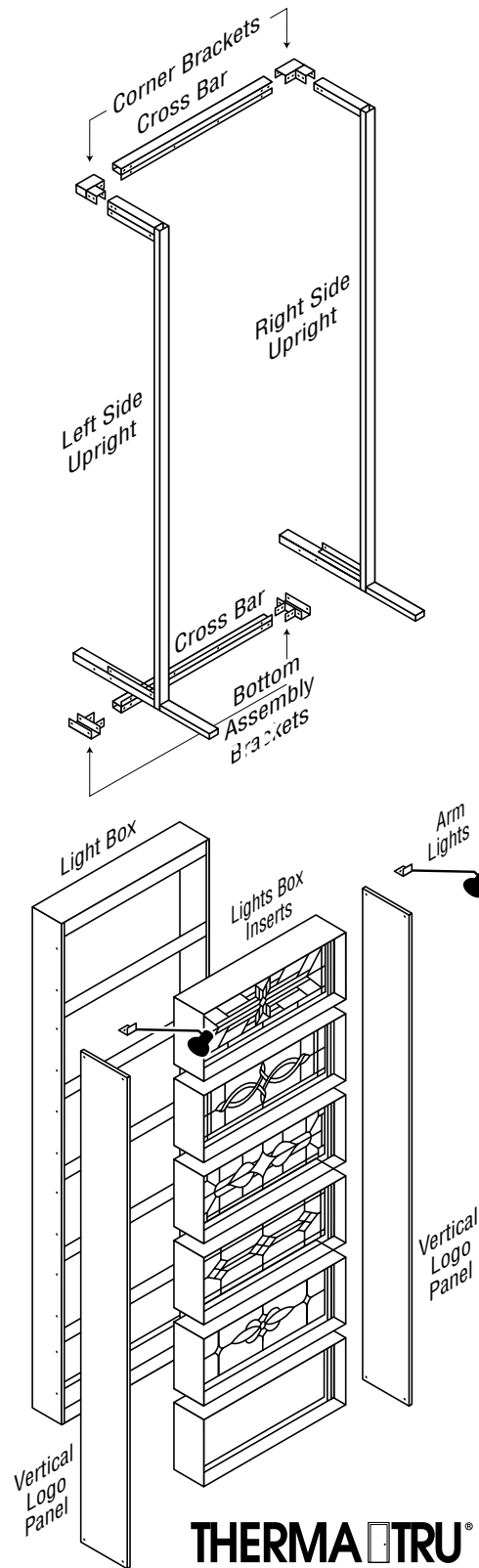
## FASTENERS

- (8) 1-1/4" full thread hex head bolts
- (8) 3-1/2" hex head bolts
- (8) 1-1/4" white hex head bolts
- (24) 1-1/2" flathead screws
- (8) 1-1/4" hex head bolts
- (4) #8 Self drilling screws
- (8) White washers
- (32) Taupe washers
- (16) nuts

**Disclaimer:** Therma-Tru or Downing Retail Displays does not assume any responsibility for improper installation of the Door Gallery Display Program units.

## MADGLDLKT05

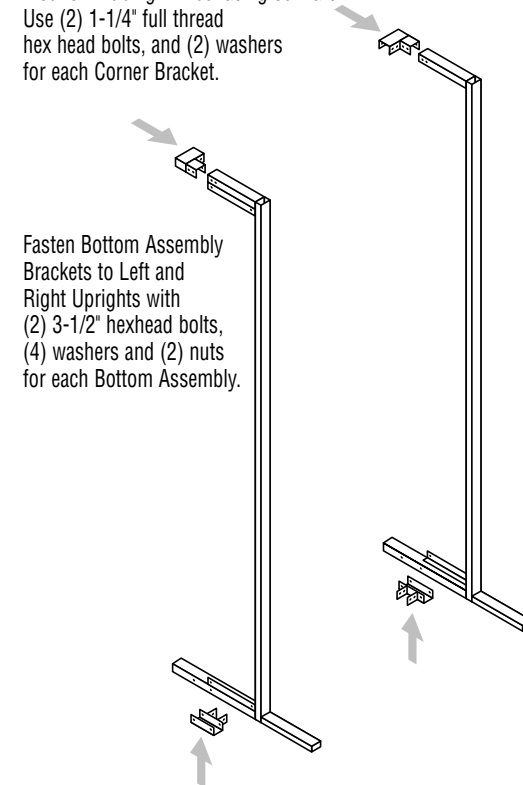
Requires 2 people to assemble.



**THERMA-TRU**  
DOORS

### STEP 1

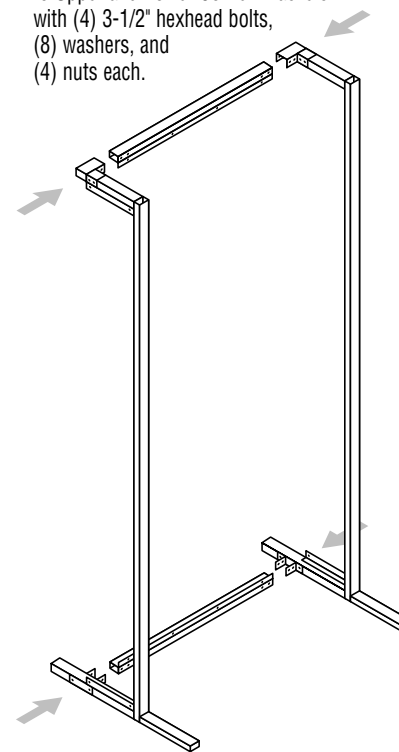
Fasten Corner Brackets to Left and Right Side Uprights. Inserts in tubing will be facing outward. Use (2) 1-1/4" full thread hex head bolts, and (2) washers for each Corner Bracket.



Fasten Bottom Assembly Brackets to Left and Right Uprights with (2) 3-1/2" hexhead bolts, (4) washers and (2) nuts for each Bottom Assembly Bracket.

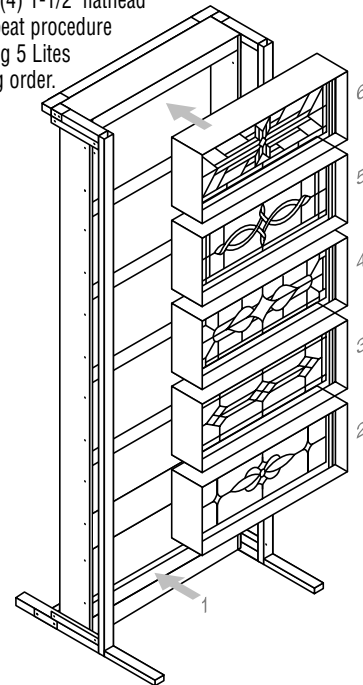
### STEP 2

Fasten Upper and Lower Cross Bars to Upper and Lower Corner Brackets with (4) 3-1/2" hexhead bolts, (8) washers, and (4) nuts each.



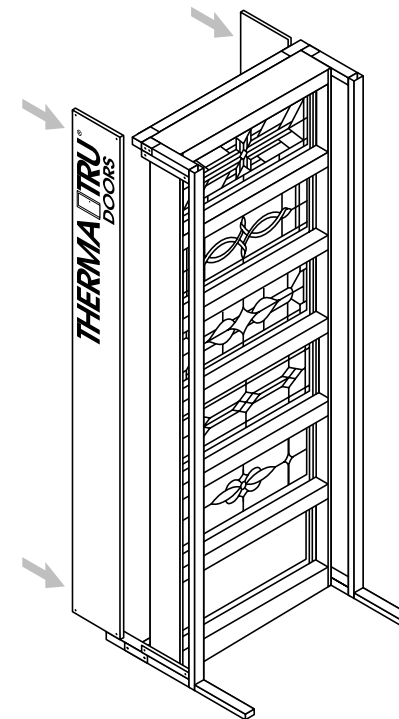
### STEP 4

Place bottom Lite in Lite Box. Using pre-drilled holes on sides of Lite Box, drill 1/8" pilot hole approximately 3/4" deep into side of lite. Fasten with (4) 1-1/2" flathead screws. Repeat procedure for remaining 5 Lites in ascending order.



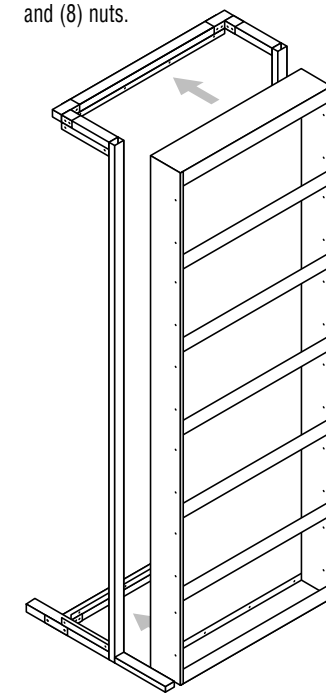
### STEP 5

Mount Side Graphic Panels with (4) 1-1/4" Phillips bolts, (8) washers, and (4) nuts each.



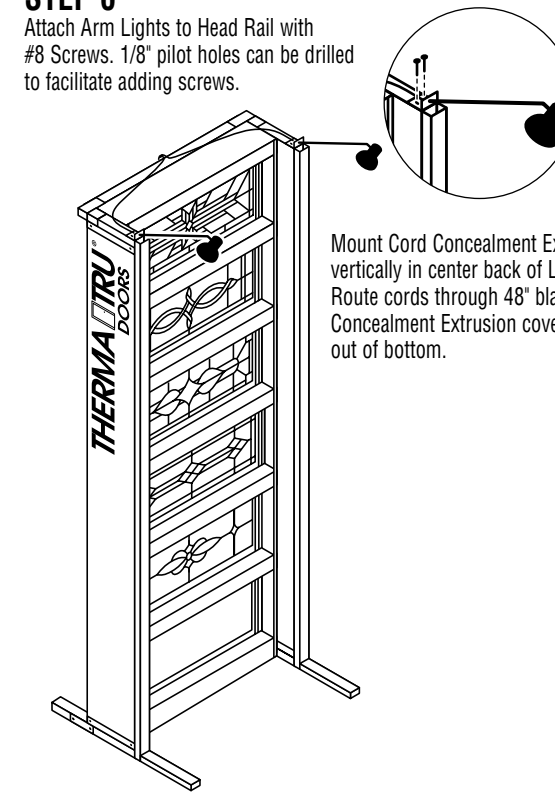
### STEP 3

Place Lite Box upright on floor. Slide Lite Box into framing. Insert (8) 1-1/4" white hexhead bolts with (8) white washers from front of Lite Box through Lite Box display and angles on cross bars. Attach previous bolts with (8) taupe washers and (8) nuts.



### STEP 6

Attach Arm Lights to Head Rail with #8 Screws. 1/8" pilot holes can be drilled to facilitate adding screws.



Mount Cord Concealment Extrusion vertically in center back of Lite Box. Route cords through 48" black Cord Concealment Extrusion cover and out of bottom.